



Quick Change Tool (QCIRT19)

See reverse side for guide on best practices for use



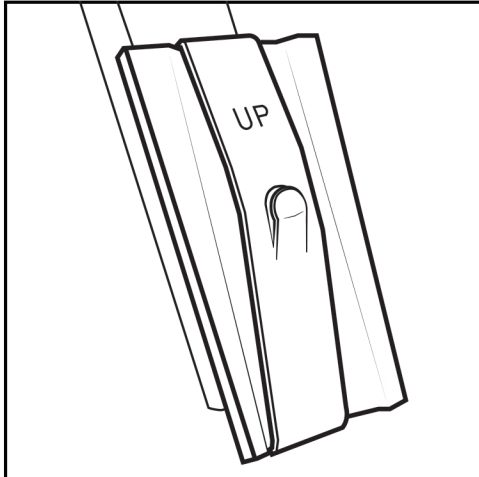
*Recommended for use
with **cast-chrome** sweeps!*

Made in the USA

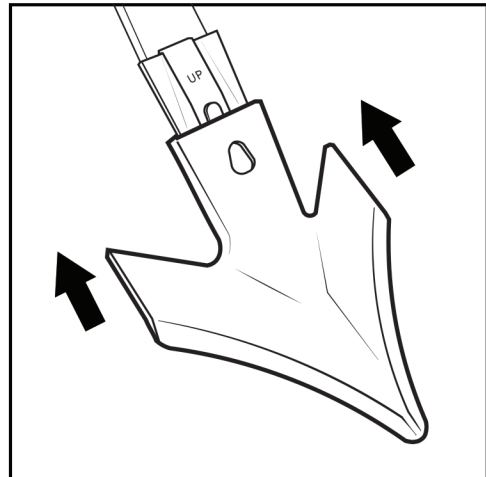
This Nichols Quick Change (QC) tool is constructed of high-grade steel and dramatically simplifies the process of safely changing out cast-chrome QC implements when used correctly.

CAUTION

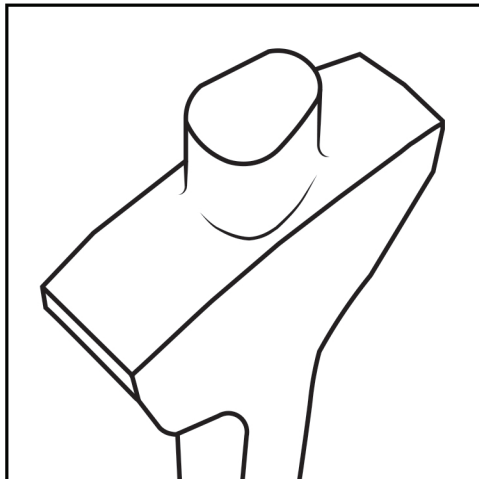
- **NEVER** strike cast-chrome implements with a tool, this will break the implement and can cause serious injuries.
- Always wear eye protection when using a hammer.



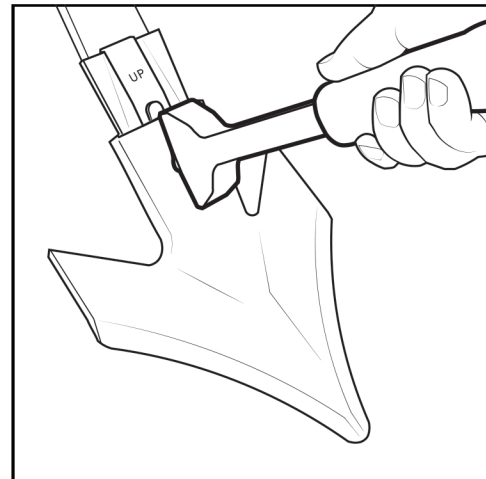
1) Ensure bracket and retainer spring are clean, in good shape, and installed correctly.



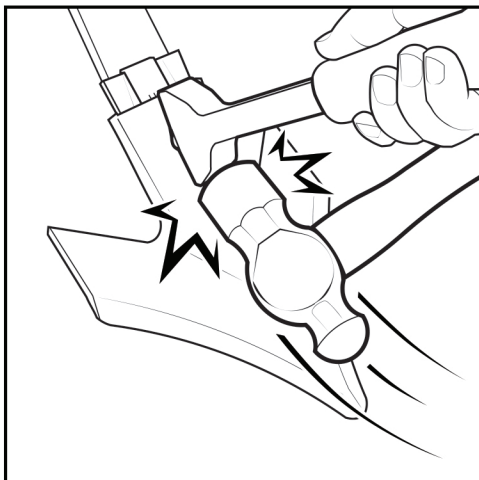
2) Guide sweep onto bracket by hand until the sweep stops.



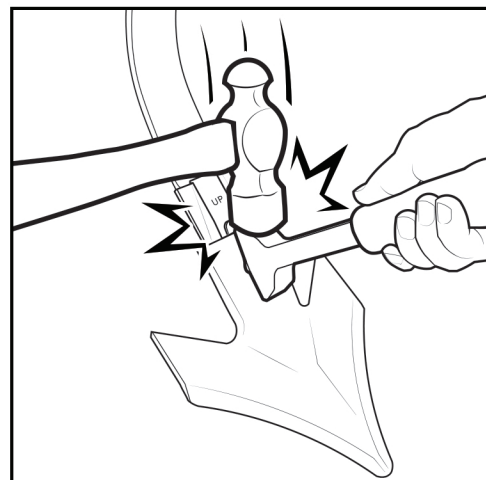
3) Identify orientation of QC Tool end. Note the shape of tool end is directional.



4) Insert QC Tool end into corresponding hole in stem of sweep.



5) Strike QC Tool with hammer until dimple/tab on retainer spring aligns with hole in sweep stem.



6) To **remove** sweep, insert QC Tool into hole and strike tool on top side with hammer.